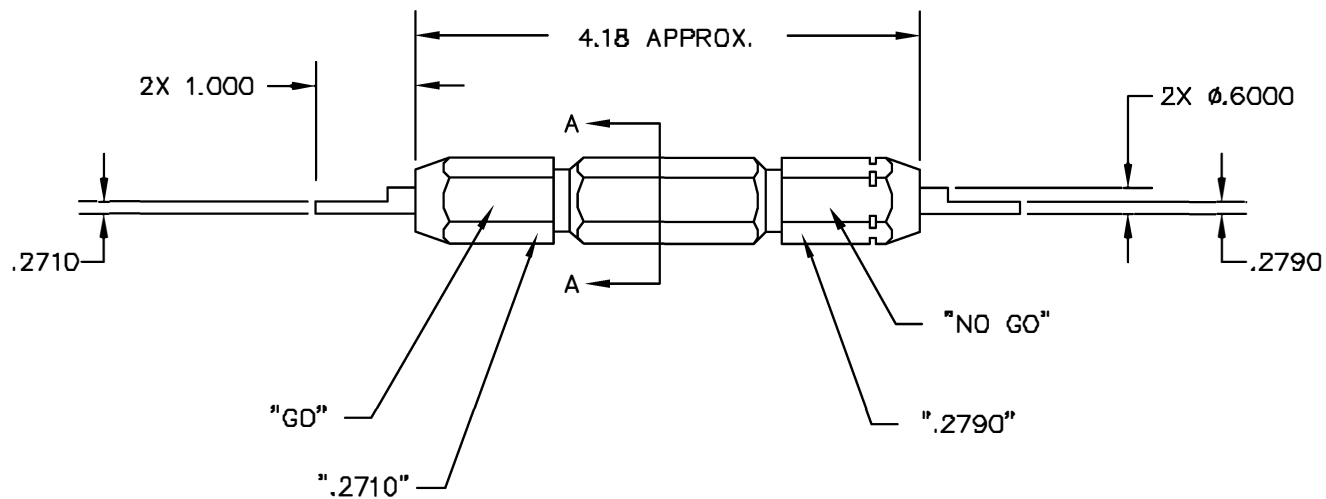


REVISIONS				
REV. SYM.	E.C.O. NUMBER	DESCRIPTION	BY DATE	APP'D DATE
1		ORIGINAL RELEASE	JMJ 1/17/03	RRR 1/17/03



**UNCONTROLLED DOCUMENT  
WILL NOT BE UPDATED**

<b>RESTRICTED &amp; CONFIDENTIAL</b>  CONFIDENTIAL PROPERTY OF DANIELS MANUFACTURING CORP. NOT TO BE DISCLOSED TO OTHERS, REPRODUCED OR USED FOR ANY OTHER PURPOSE EXCEPT AS AUTHORIZED IN WRITING BY DANIELS MANUFACTURING. MUST BE RETURNED TO DANIELS MANUFACTURING CORP. ON COMPLETION OF ORDER OR OTHER PURPOSE FOR WHICH SENT.	MATERIAL	ITEM	PART NO.	QTY.	DESCRIPTION/REMARKS
	HEAT TREAT	DRN.	J. JOYCE	DATE	1/17/03
		GRD.	RRR	DATE	1/17/03
	FINISH	APPD.		DATE	
APPD.			DATE		
TITLE: <b>GO/NO-GO GAGE ENVELOPE DRAWING</b>					
WHERE USED:					
DO NOT SCALE DRAWING		SIZE	SCALE	CAD FILE NO	SHEET OF
		B	NTS	G749-ENV	1 1
		POSTING	P/N	G749-ENV	REV.
					1